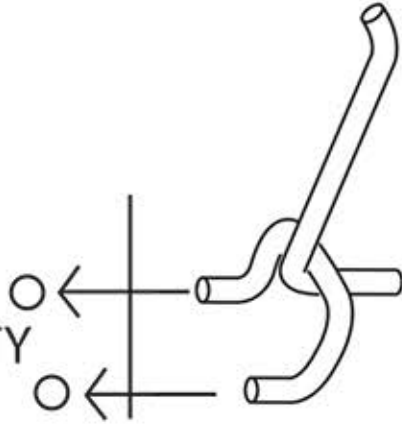


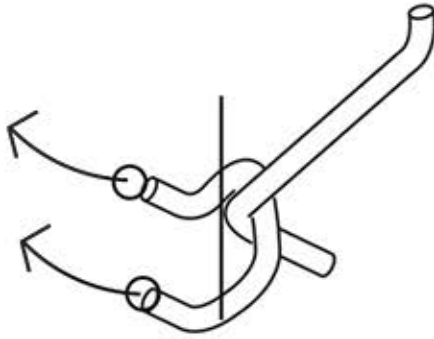
Cutleaf™

DISPLAY INSTRUCTIONS

STEP 1:
INSERT DIRECTLY



STEP 2:
ANGLE
UPWARDS



STEP 3:
STRAIGHTEN
HOOK

