

FORT TROFF ISSUED TRENCH RIDER

ASSEMBLY and USAGE INSTRUCTIONS

INS-1105-20



Assembled
with Head Pillow



Assembled
with Fuck Machine
(Fuck Machine Sold Separately)

Included Parts



Feet (4x)



Pillow (1x)



T-Legs (2x)

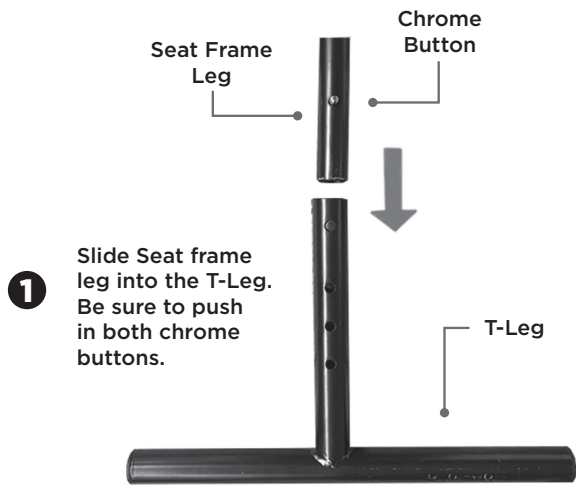


Fuck Machine Attachment (1x)

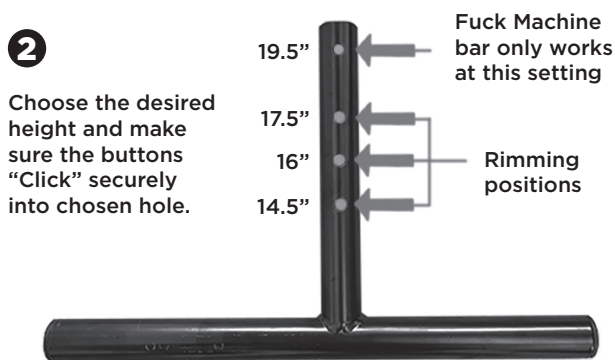


Seat Frame
& Seat (1x)

Assembly



1 Slide Seat frame leg into the T-Leg. Be sure to push in both chrome buttons.

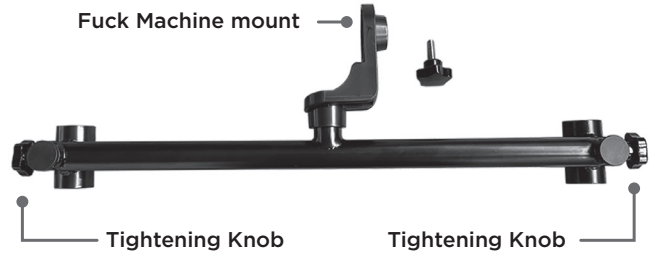


2 Choose the desired height and make sure the buttons "Click" securely into chosen hole.



3 Secure head pillow by wrapping the pillow velcro tabs around both legs as shown.
The chair is now ready to please!

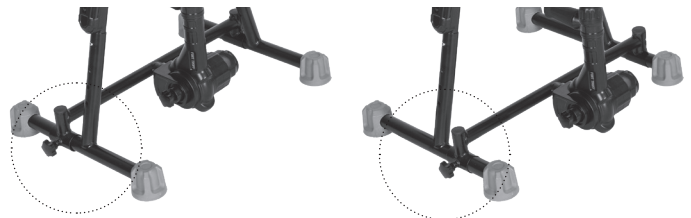
Attaching the Fuck Bar



1 Screw Fuck Machine to the attachment mount as shown
Fuck Machine sold separately



2 Select the topmost T-Leg hole (this is the only height that will allow the Fuck Machine attachment to be installed)
Remove feet if installed.
Slide bar as shown and tighten the knob
Put feet back in place.
Enjoy!



Attach bar on either the front or back depending on preferred access point.



for product information scan code or go to docjohnson.com/forttroff

EU Authorised Representative (for authorities only)
ProductIP AR Services Galvanistraat 1, 6716 AE Ede, The Netherlands

UK Authorised Representative (for authorities only)
ProductIP (UK) Ltd. 8, Northumberland Av., London WC2N 5BY